

genexis 

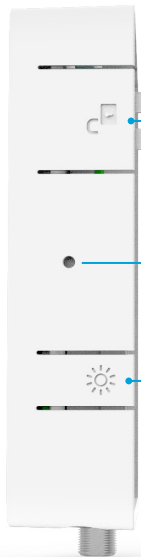
FiberTwist

P3420B

Installation Guide



Button overview



Unlock button

Remove FiberTwist or Blind Cover – press and hold while twisting counterclockwise

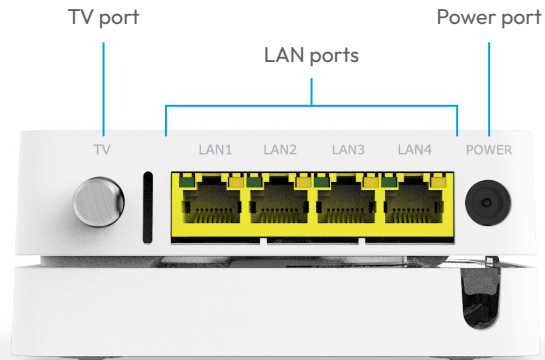
Reset button (recessed)

Reset – press and release
Factory reset – press and hold the button until System and Uplink LED start to blink

LED dim button

Dim LEDs – press and release to dim LEDs in steps

Port overview



TV port

Power port

LAN ports

TV

LAN1

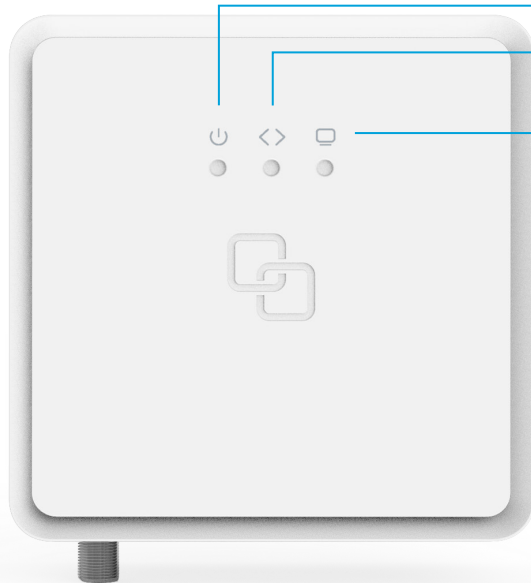
LAN2

LAN3

LAN4

POWER

LED overview



System

Green – system ok
Green (blinking) – booting
Red – system or booting failure
Red (blinking) – insufficient PON signal
Off – power off

Uplink

Green – link ok
Green (blinking) – link establishing
Off – no link

System + Uplink

Green (blinking) – firmware upgrade

TV

Green – TV ok
Off – no TV

Installation guide

Box contents

- Genesis FiberTwist (active device)
- Power adapter
- Labels (self-adhesive)

Label position

The product label is positioned on the back of the active device.

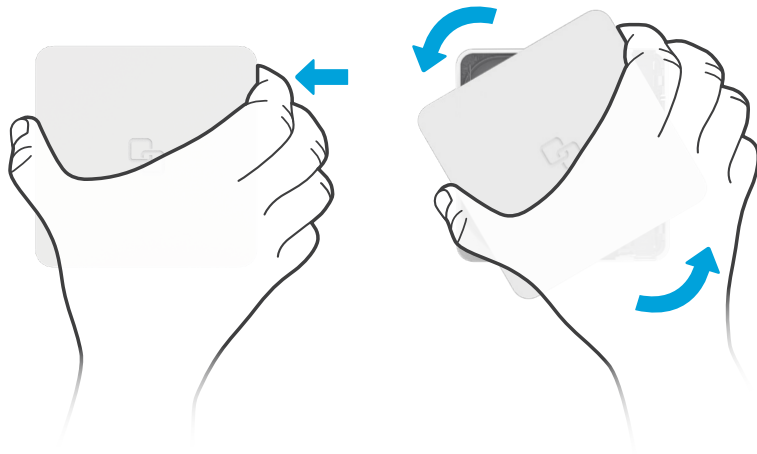
Preparation

Ensure there is a power socket within reach of where the device is being installed.

Important: Instructions need to be followed precisely and uninterrupted. This minimizes the risk of damage to the fiber optic connectors, causing a severe degradation of signal quality.

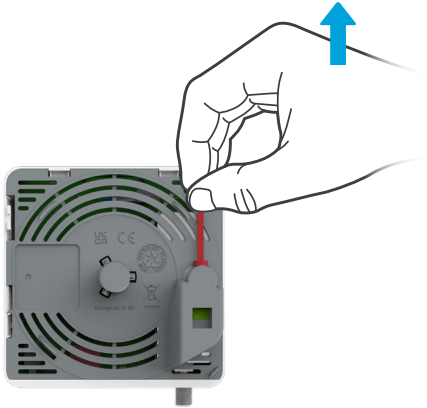
Remove Blind Cover (if present)

1. Press and hold the unlock button (see button overview).
2. Rotate the Blind Cover counterclockwise till it blocks.
3. Remove the Blind Cover from the baseplate (FTU) by pulling it towards yourself.
4. Store the Blind Cover in a safe place.



Remove dust cap

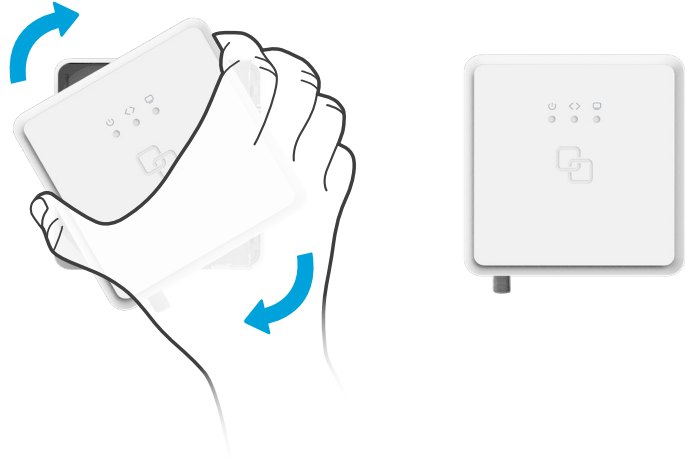
1. Take the FiberTwist out of the box.
2. The dust cap is connected to the red string located on the rear of the FiberTwist.
3. Remove the dust cap by pulling the red string.
4. Store the dust cap in a safe place.



Twist!

1. Place the FiberTwist on the FTU as shown in the picture below, in a 30-degree angle.
2. Rotate clockwise until it clicks into place.
3. Make sure the FiberTwist is aligned squarely on the FTU, each edge must line up directly with the FTU below.

Your FiberTwist is now installed!



Connecting the Fiber Twist

1. If required, connect your television / set-top box to the TV port with a coax cable.
2. Connect your gateway to a LAN port via an RJ45 network cable.
3. Connect the supplied power adapter to the FiberTwist and plug the adapter into a power socket.

If at some point in the future it becomes necessary to uninstall the FiberTwist, please place the Blind Cover back on the FTU immediately and put the dust cap back on the FiberTwist.

Warning: This product contains a laser that emits invisible light. It is a Class 1 Consumer Laser product according to EN 50689:2021, which means it is safe under all conditions of normal use. However, it is still advised to not look directly into the fiber connector when the product is powered on.

Warning: Do not cover the device, this will interfere with the ventilation. Ambient Operating Temperature: 0°C ~ 40°C

EU Declaration of Conformity

Hereby, Genexis Netherlands B.V. declares that the product FiberTwist-P3420B is in compliance with Directives 2014/30/EU, 2014/35/EU, 2011/65/EU, Delegated Directive 2015/863 and Ecodesign Directive 2009/125/EC.

The full text of the EU declaration of conformity is available at the following internet address: <https://genexis.eu/product/fibertwist/red/fibertwist-p3420b>

Company Name

Genexis Netherlands B.V.

Company Address

Lodewijkstraat 1a
5652 AC Eindhoven
The Netherlands

Name and title of authorized person

Maarten Egmond, CTO

Signature of authorized person



Place of issue

Eindhoven
The Netherlands

Date of issue

2021-04-15

Revision 3.0 - March 2024 - Copyright © 2024 Genesis Netherlands B.V. All rights reserved.

Multiple languages of this document and additional product information are available on
<https://genesis.eu/product/fibertwist/downloads>

Genesis assumes no responsibility for any inaccuracies in this document. Genesis reserves the right to change, modify, transfer, or otherwise revise this publication without notice.