

genexis 

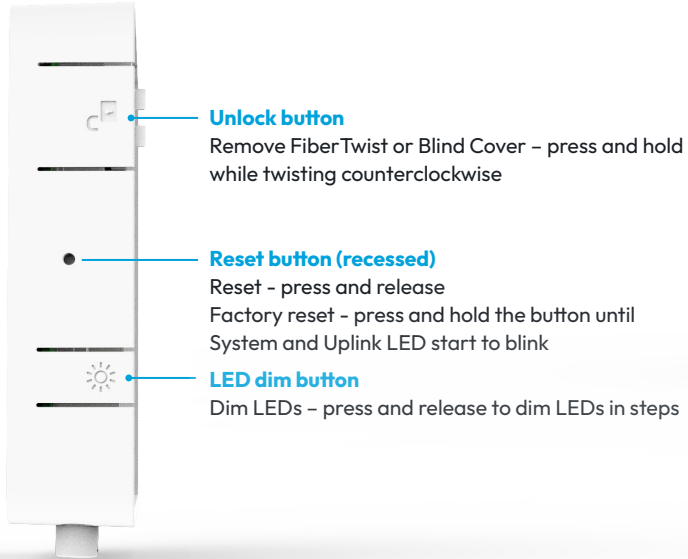
# FiberTwist

XGS2310B

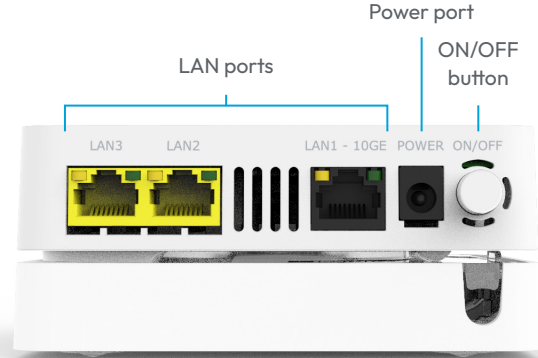
Installation Guide



## Button overview



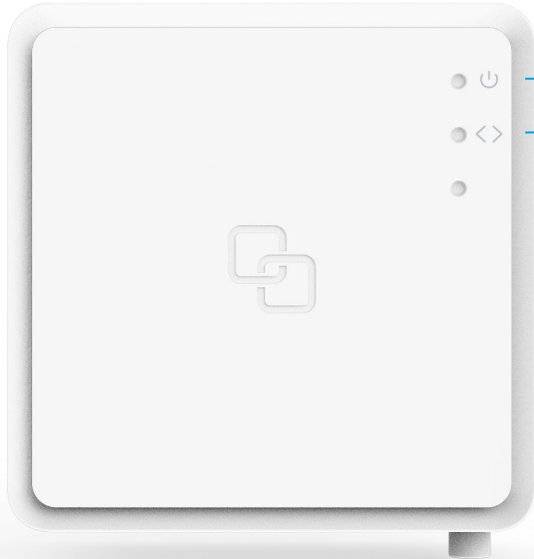
## Port overview



### ON/OFF button

Power ON or OFF – press and release to switch device ON or OFF

## LED overview



### System

- Green - system ok
- Green (blinking) - booting
- Red - system or booting failure
- Red (blinking) - insufficient PON signal
- Off - power off

### Uplink

- Green - link ok
- Green (blinking) - link establishing
- Off - no link

### System + Uplink

- Green (blinking) - firmware upgrade

# Installation guide

## Box contents

- Genesis FiberTwist (active device)
- Power adapter
- Labels (self-adhesive)

## Label position

The product label is positioned on the back of the active device.

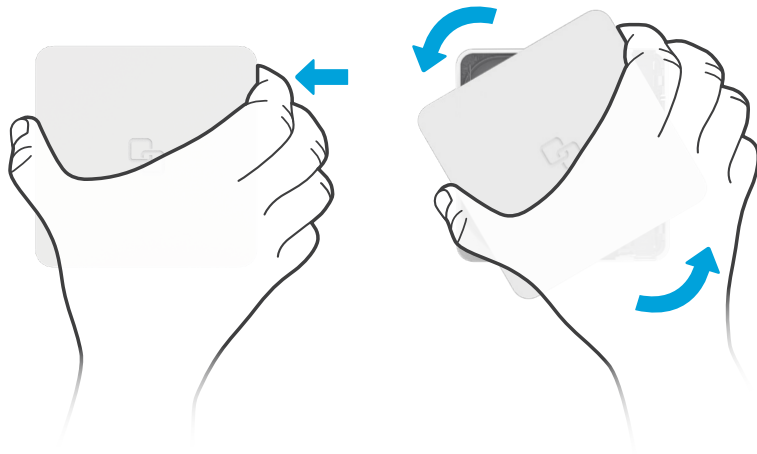
## Preparation

Ensure there is a power socket within reach of where the device is being installed.

**Important:** Instructions need to be followed precisely and uninterrupted. This minimizes the risk of damage to the fiber optic connectors, causing a severe degradation of signal quality.

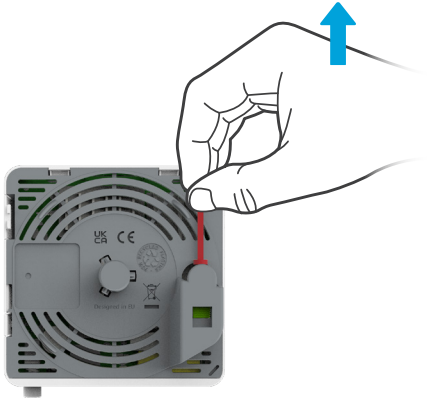
## Remove Blind Cover (if present)

1. Press and hold the unlock button (see button overview).
2. Rotate the Blind Cover counterclockwise till it blocks.
3. Remove the Blind Cover from the baseplate (FTU) by pulling it towards yourself.
4. Store the Blind Cover in a safe place.



### Remove dust cap

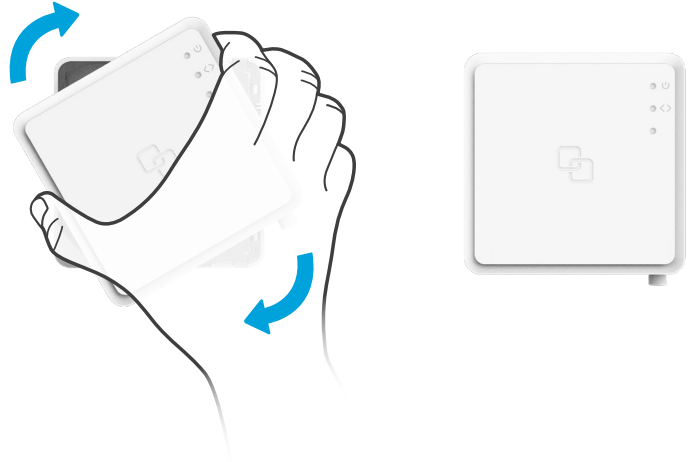
1. Take the FiberTwist out of the box.
2. The dust cap is connected to the red string located on the rear of the FiberTwist.
3. Remove the dust cap by pulling the red string.
4. Store the dust cap in a safe place.



### Twist!

1. Place the FiberTwist on the FTU as shown in the picture below, in a 30-degree angle.
2. Rotate clockwise until it clicks into place.
3. Make sure the FiberTwist is aligned squarely on the FTU, each edge must line up directly with the FTU below.

Your FiberTwist is now installed!



## Connecting the FiberTwist

1. Connect your gateway to the LAN (10GE) port via an RJ45 network cable. A CAT6 cable or better is recommended.
2. Connect the supplied power adapter to the FiberTwist and plug the adapter into a power socket.
3. Press the ON/OFF button to power on the device.

If at some point in the future it becomes necessary to uninstall the FiberTwist, please place the Blind Cover back on the FTU immediately and put the dust cap back on the FiberTwist.

**Warning:** This product contains a laser that emits invisible light. It is a Class 1 Consumer Laser product according to EN 50689:2021, which means it is safe under all conditions of normal use. However, it is still advised to not look directly into the fiber connector when the product is powered on.

**Warning:** Do not cover the device, this will interfere with the ventilation. Ambient Operating Temperature: 0°C ~ 40°C

## EU Declaration of Conformity

Hereby, Genexis Netherlands B.V. declares that the product FiberTwist-XGS2310B is in compliance with Directives 2014/30/EU, 2014/35/EU, 2011/65/EU, Delegated Directive 2015/863 and Ecodesign Directive 2009/125/EC.

The full texts of the EU declaration of conformity is available at the following internet address: <https://genexis.eu/product/fibertwist/red/fibertwist-xgs2310b>

### Company Name

Genexis Netherlands B.V.

### Company Address

Lodewijkstraat 1a  
5652 AC Eindhoven  
The Netherlands

### Name and title of authorized person

Maarten Egmond, CTO

### Signature of authorized person



### Place of issue

Eindhoven  
The Netherlands

### Date of issue

2022-01-18

Revision 3.0 - March 2024 - Copyright © 2024 Genesis Netherlands B.V. All rights reserved.

Multiple languages of this document and additional product information are available on  
<https://genesis.eu/product/fibertwist/downloads>

Genesis assumes no responsibility for any inaccuracies in this document. Genesis reserves the right to change, modify, transfer, or otherwise revise this publication without notice.